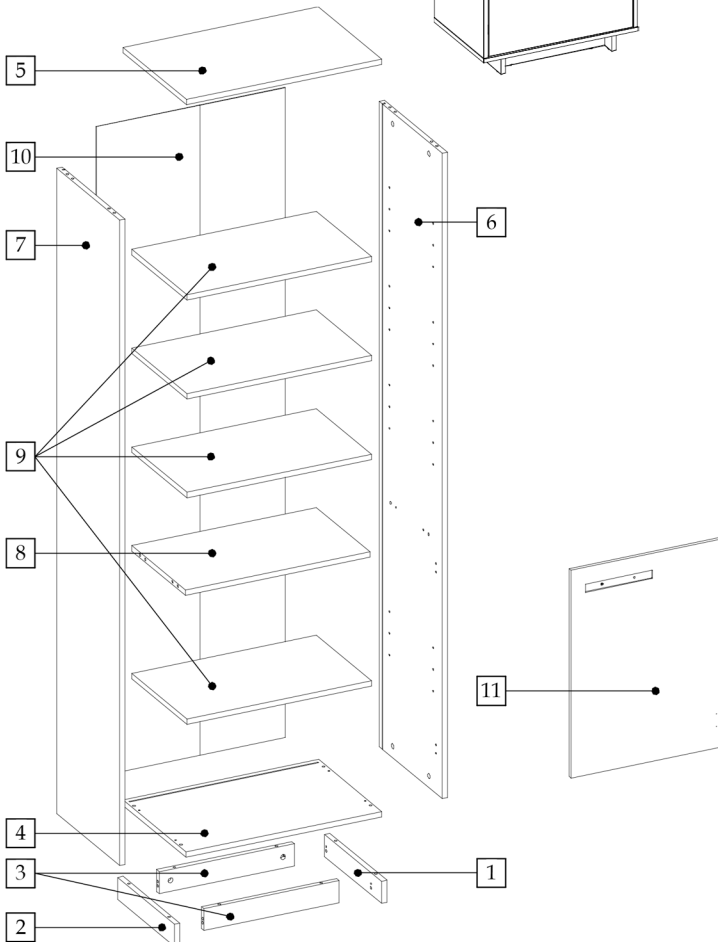
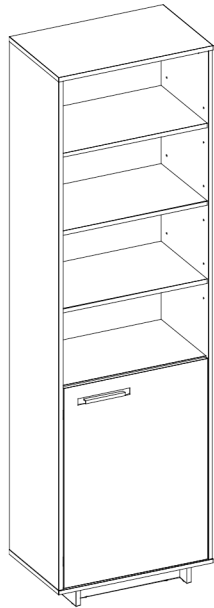
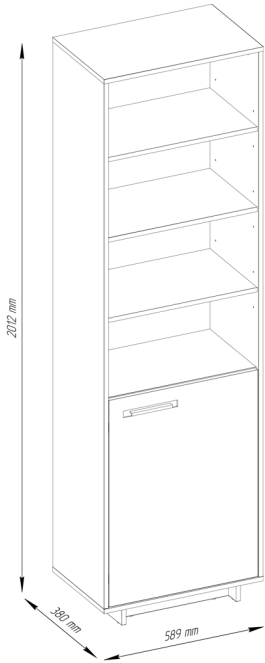
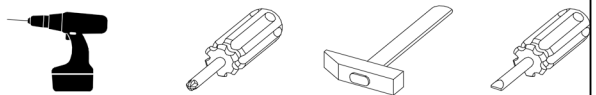


DELIS

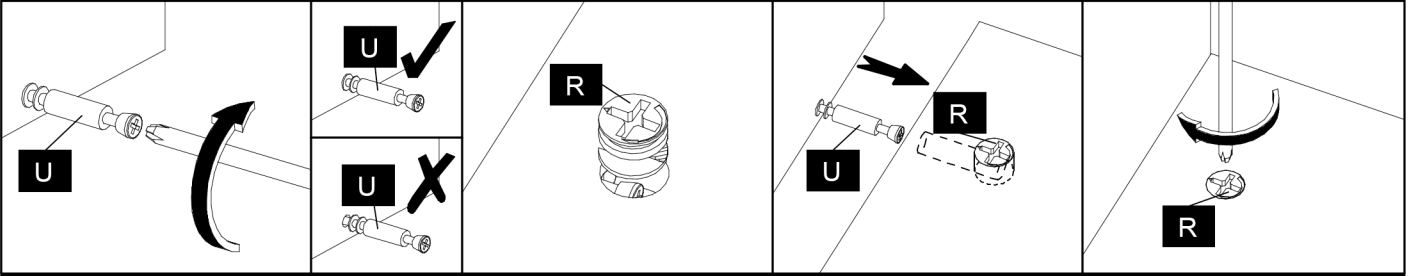
Typ R2



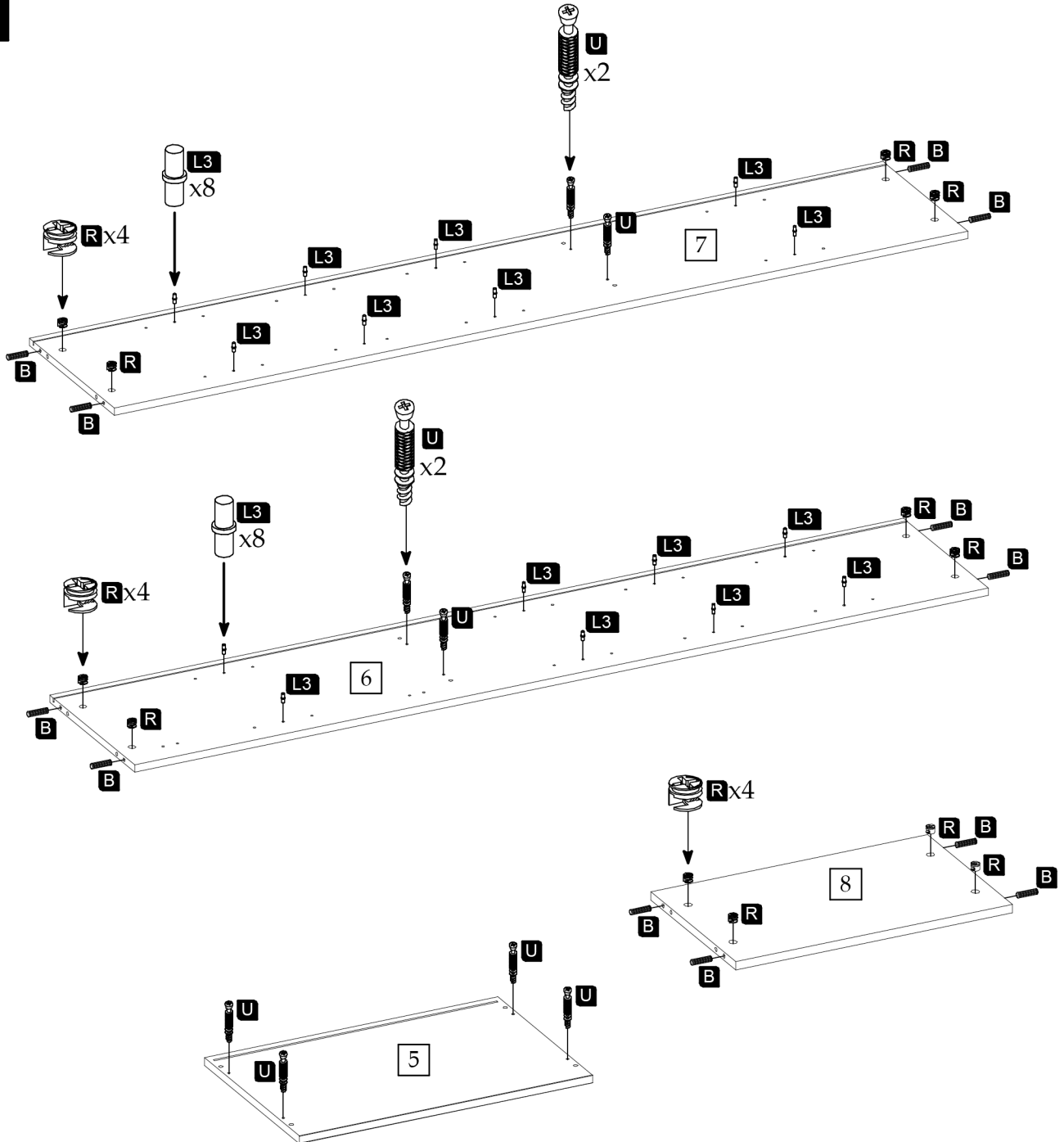
- | | | | | |
|----------------------|-----------------------|------------------------|-----------------------|--------------|
| B x24
8x30 | C1 x2 | E x28
3.5x16 | E8 x2
M6x25 | G3 x8 |
| L3 x16 | L4 x1 | M1 x1 | P x14 | P2 x4 |
| R x16 | T x4
6.3x13 | U x16 | W3 x1 | Y x1 |
| Zz x16 | | | | |

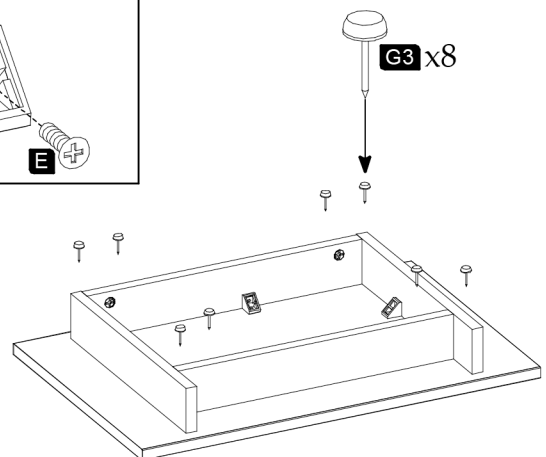
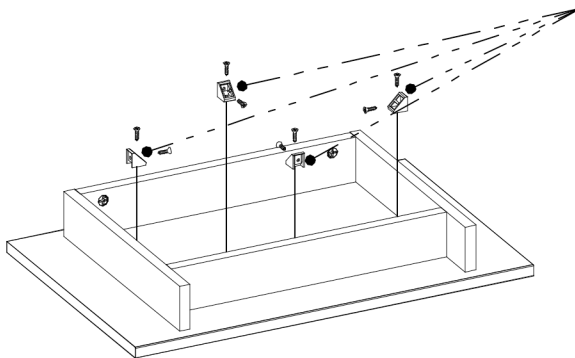
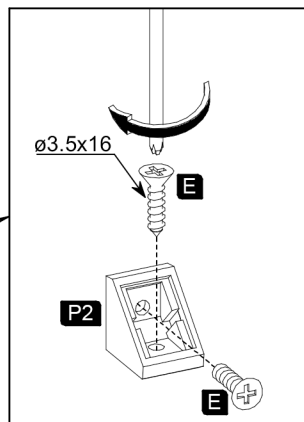
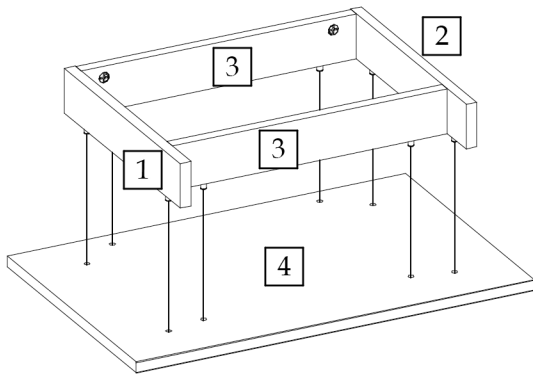
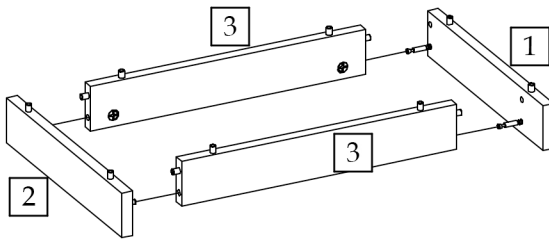
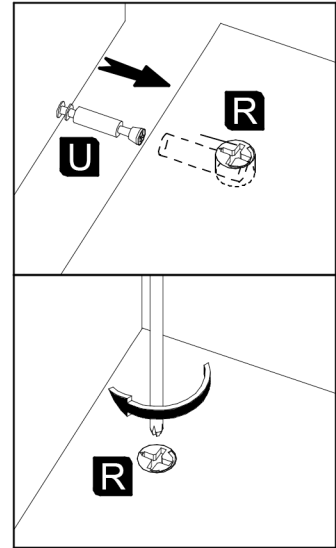
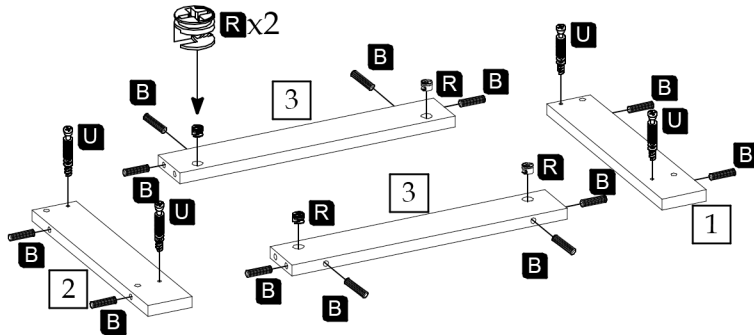


1	341	65	16	1	1001	1/2
2	341	65	16	1	1003	1/2
3	407	65	16	2	1004	1/2
4	589	380	16	1	1005	1/2
5	589	380	16	1	1006	1/2
6	1905	378	16	1	1007	1/2
7	1905	378	16	1	1008	1/2
8	555	340.5	16	1	1009	1/2
9	555	331	16	4	N/A	1/2
10	1919	284	3	2	N/A	1/2
11	750	550	16	1	3003	2/2

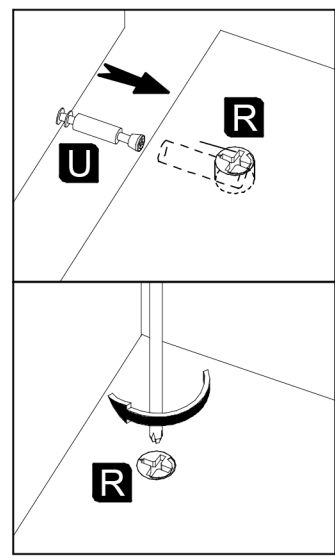
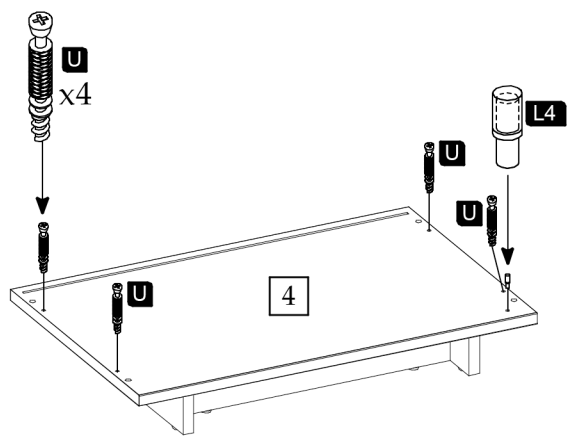


1

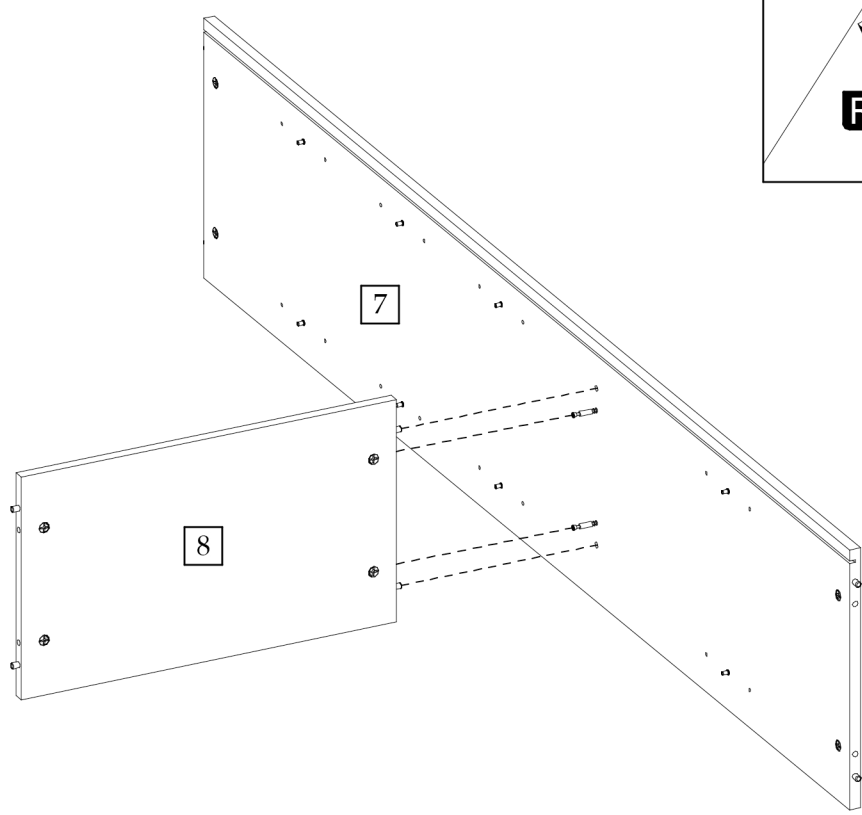




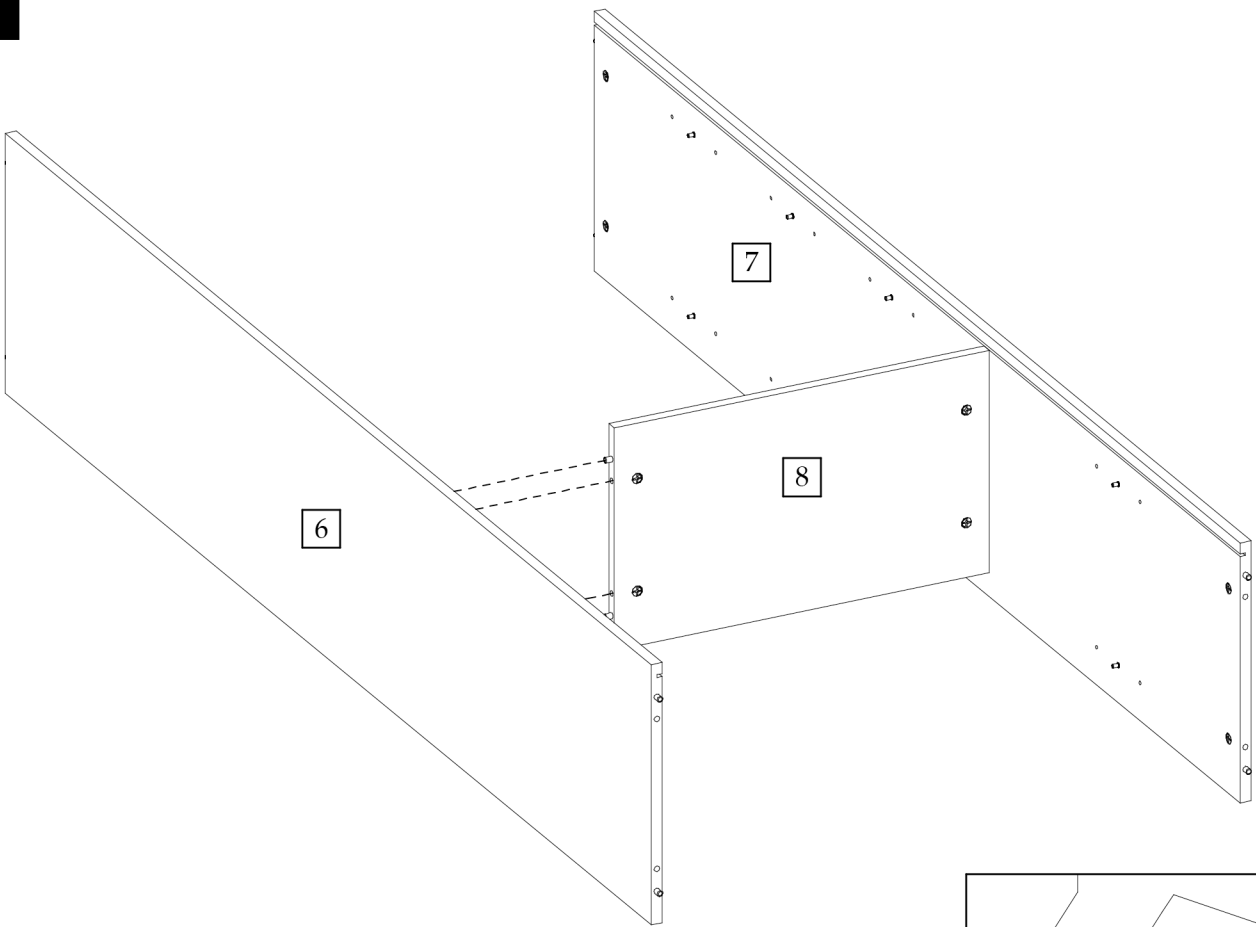
3



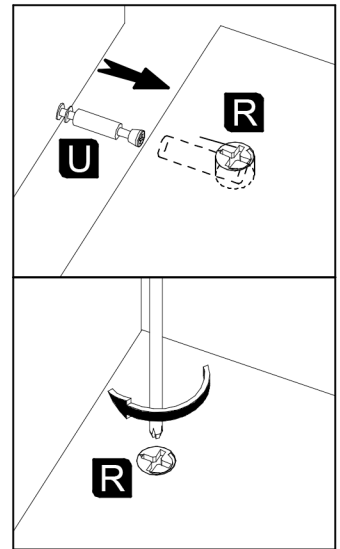
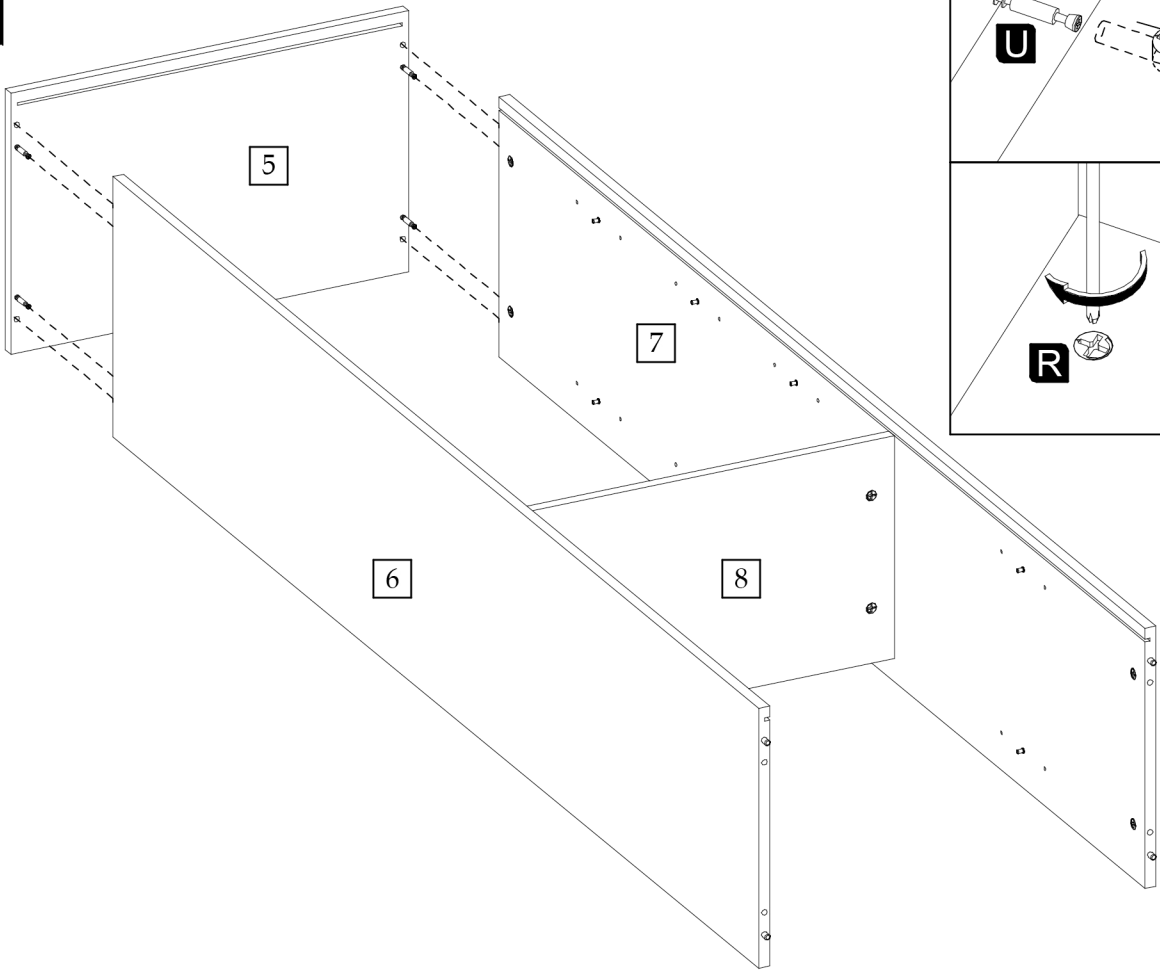
4



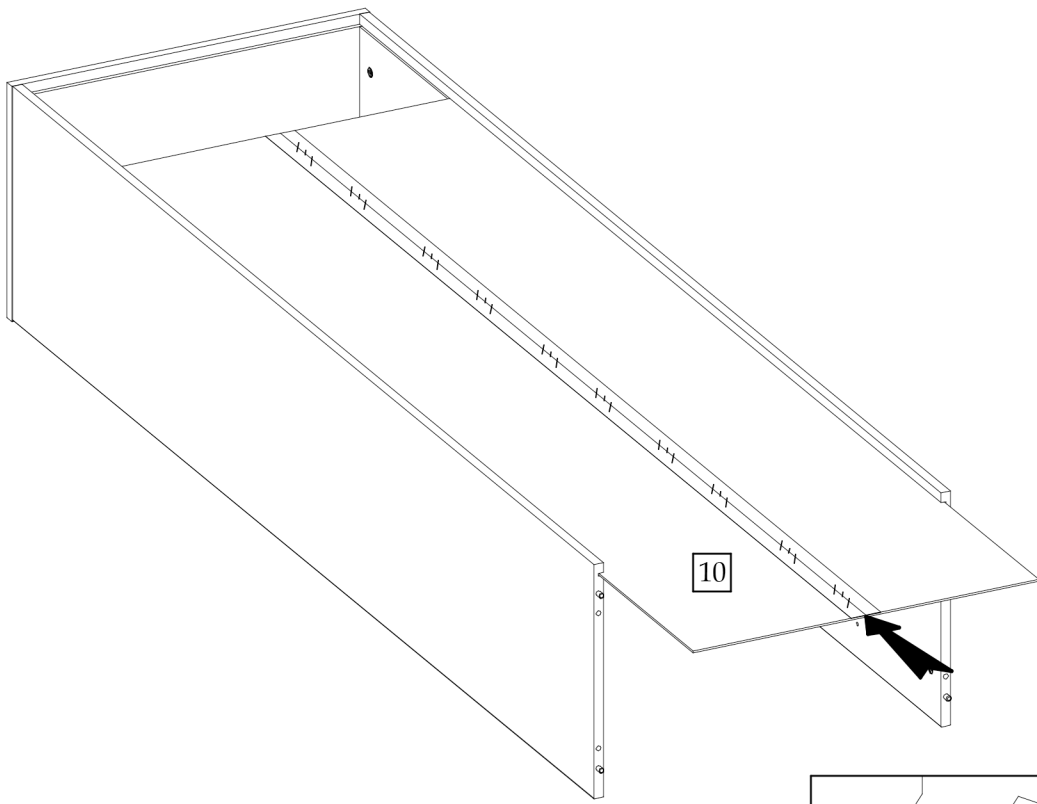
5



6



7



8

